



Motorised Blinds



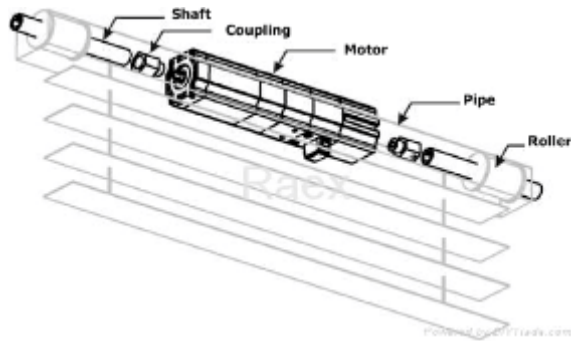
Motorised Curtains

**Curtain & Blind Motor**

**For Windows & Doors**

**Features**

- Remote + Switch + Manual Operation
- Automatic Operation on Hands touch
- Automatic Limit Switch available
- Special silent operation



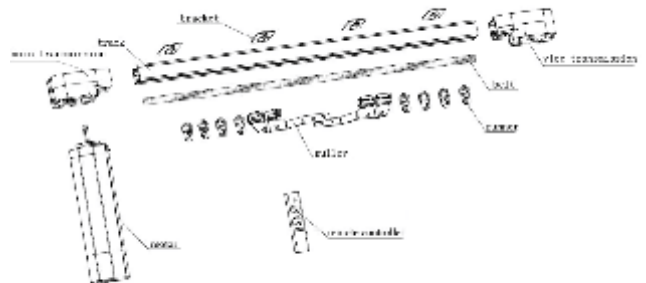
**Applications**

- Rolling Shutters used in Residence
- Apartment ● Shops Godowns ● Hotel
- Bank etc upto 200 Sq feet (280 Kgs)

**Features**

- Motor Not Visible
- Use safety spring
- Manual Operation all
- Time Thermal protection
- Built in Speed reducer
- Limit switch
- Digital Lock Remote Control
- Electro Magnetic Lock (Optional)

Track Length max 6 Mt



\* Specification are subjected to change for improvements