

Central Motor

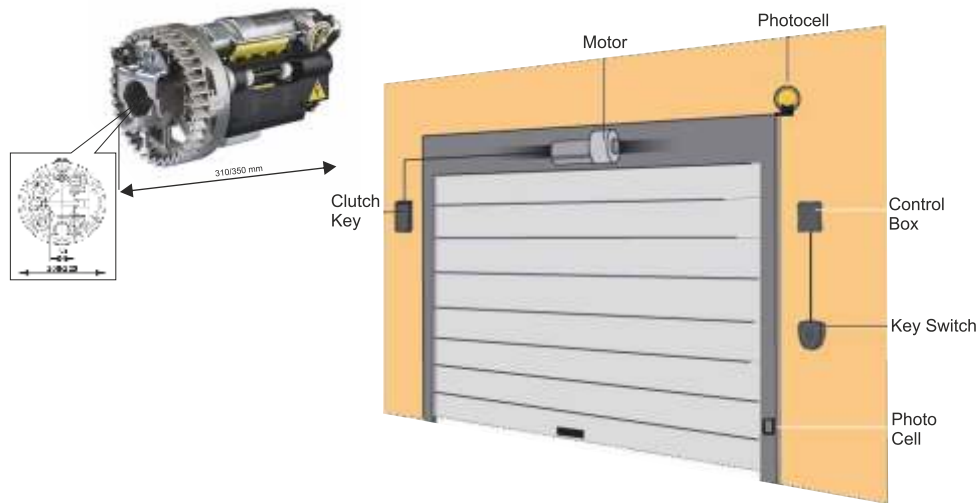
For ≤ 200 Sq Feet Rolling Shutter
SP RD CM 180/280

Applications

- Rolling Shutters used in Residence
- Apartment • Shops Godowns • Hotel
- Bank etc upto 200 Sq feet (280 Kgs)

Features

- Motor Not Visible
- Use safety spring
- Manual Operation all Time Thermal protection
- Built in Speed reducer
- Limit switch
- Digital Lock Remote Control
- Electro Magnetic Lock (Optional)



Model	SP RD CM 180	SP RD CM 280
Door Wt / kg	180	280
Door Height	3 Mt	5 Mt
Voltage / Freq	230 V / 50Hz	230 V / 50Hz
Load	400 W	800 W
RPM	10	10
SHAFT DIA	60 mm	60 mm
SPRING SYSTEM DIA	200~220 mm	200~220 mm
Manual Operation	By Hand	By Hand

**Manual Operation
On Power Fail**

* Specification are subjected to change for improvements