



## Solutions for Large size Rolling Shutters

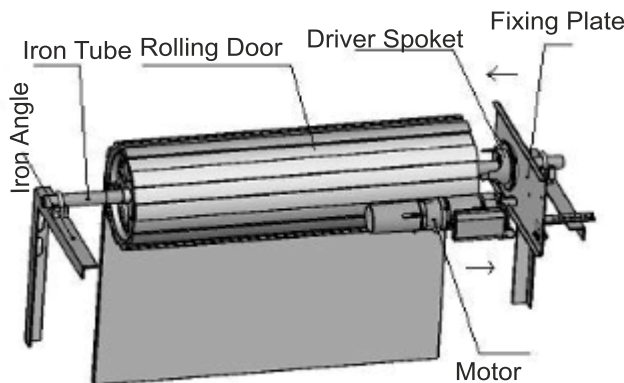


### B Series Chain Control



## Side Motor For Rolling Shutter

For 100~1000 Sq Feet Rolling Shutter  
SP RD SM Series



### Applications

- All Rolling Shutters used in Industry
- Malls • Factories • Apartments
- Residence • Shops • Godowns • Banks etc

### Features

- German designed Carbon Steel Gear
- Precision Limit Switch
- Thermal Protection
- Chain Breakage Lock protection
- Electronic Lock Up Down Stop Switch
- Manual Chain Pulley Built in power fail
- Remote Controller & switch operation
- Phase Controller (optional for 3 phase motor)



Open from Outside During Power Fail



Electric Switch Controlled

Model	SP RD SM 600B	SP RD SM 1000B	SP RD SM 1500B
Door Wt / kg	400	800	1200
Door Height	6 Mt	7 Mt	8 Mt
Voltage	230 V	230 V	415 V / 3 p
Load	370 W	500 W	750 W
RPM	4.195	4.195	4.195
Shaft Type	10" Spring System	10" Spring System	12" Spring System
Chain Pulley	Built in	Built in	Built in
Manual Operation	By Hand	By Hand	By Hand

\* Specification are subjected to change for improvements