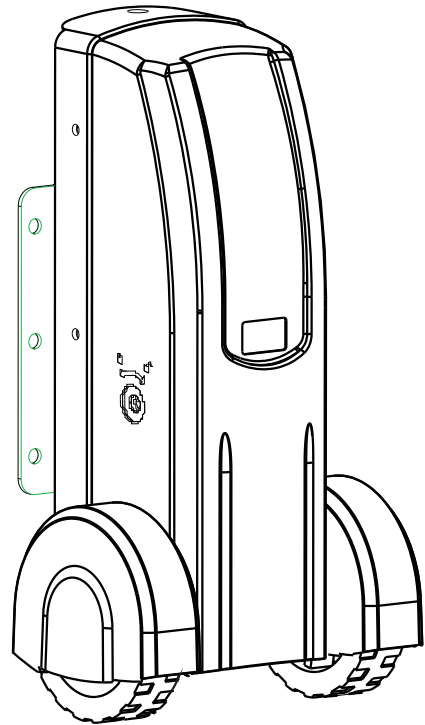


# INSTRUCTION

## SWING GATE OPERATOR

Model SP ACM SD 300  
ROLLER TYPE



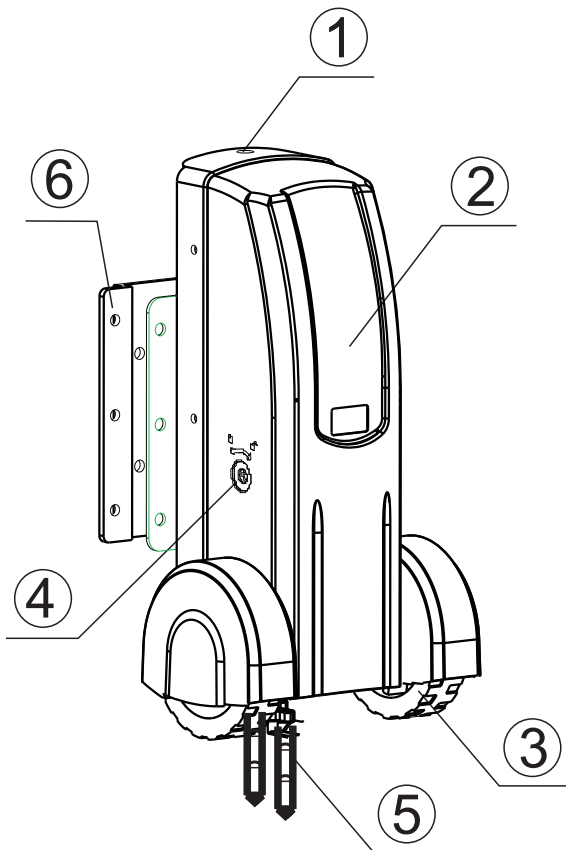
PLEASE READ CAREFULLY  
BEFORE INSTALLING AND USE

## **WARNING TO THE INSTALLER AND USER**

- 1 CAUTION! It is important for personal safety to follow all the instructions carefully. Incorrect installation or misuse of the product may cause people serious harm.
- 2 Keep the instructions in a safe place for future reference.
- 3 This product was designed and manufactured strictly for the use indicated in this documents. any other not expressly indicated use may damage the product and/or be a source of danger.
- 4 Before carrying out any work on the system, switch off the electricity supply.
- 5 Accepts no responsibility regarding safety and correct operation of the automation ,should components made by manufacturers other than be used in the system.
- 6 Do not make any alterations to the components of the automation.
- 7 Do not allow children or other persons to stand near the product while in operation.
- 8 Keep remote controls away from children, to prevent the automation from being activated accidentally.
- 9 The user must refrain from attempting to repair or adjust the system personally and should con tact qualified personnel only.
- 10 Frequently examine the installation, in particular check cables, springs and mountings for signs of wear, damage or imbalance .Do not use if repair or adjustment is needed since a fault in installation or an incorrectly balanced door may cause injury.
- 11) This appliance is not intended for use by persons (including children) with reduced physical, sensory or mental capabilities, or lack of experience and knowledge, unless they have been given supervision or instruction concerning use of the appliance by a person responsible for their safety.
- 12 If the supply cord is damaged, it must be replaced by the manufacturer, its service agent or similarly qualified persons in order to avoid a hazard.
- 13 Disconnect the supply when cleaning or other maintenance is being carried out, if the appliance is automatically controlled.
- 14The temperature range marked on the drive should be suitable for the location.

**PLEASE READ THE MANUAL CAREFULLY  
BEFORE INSTALL AND USE**

## 1. Description

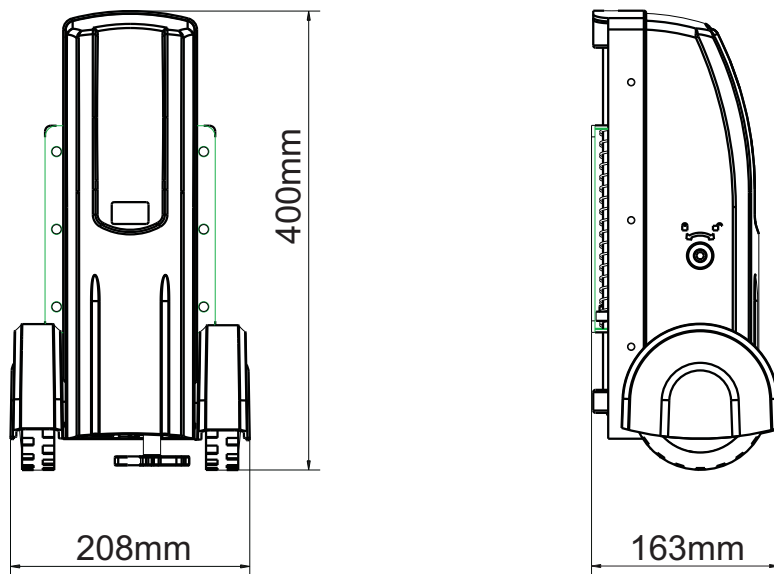


- ① Adjustment screw
- ② Motor
- ③ Wheel
- ④ Clutch
- ⑤ Close limit stopper
- ⑥ Braket

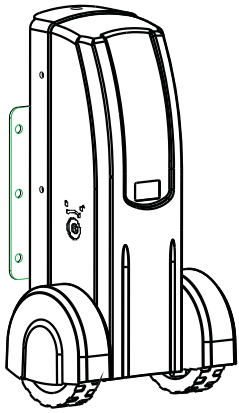
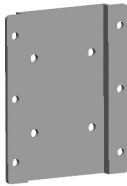









## 2. Technical Specifications

Motor voltage	24 V
Motor's power	40 W
Motor rotational speed	2500 r/min
Thrust force	236 N
Running speed	10 ~ 16 M/min
Adjustable lift range	0 ~ 130 mm
Max single-leaf weight	500 KG
Max single-leaf length	5M

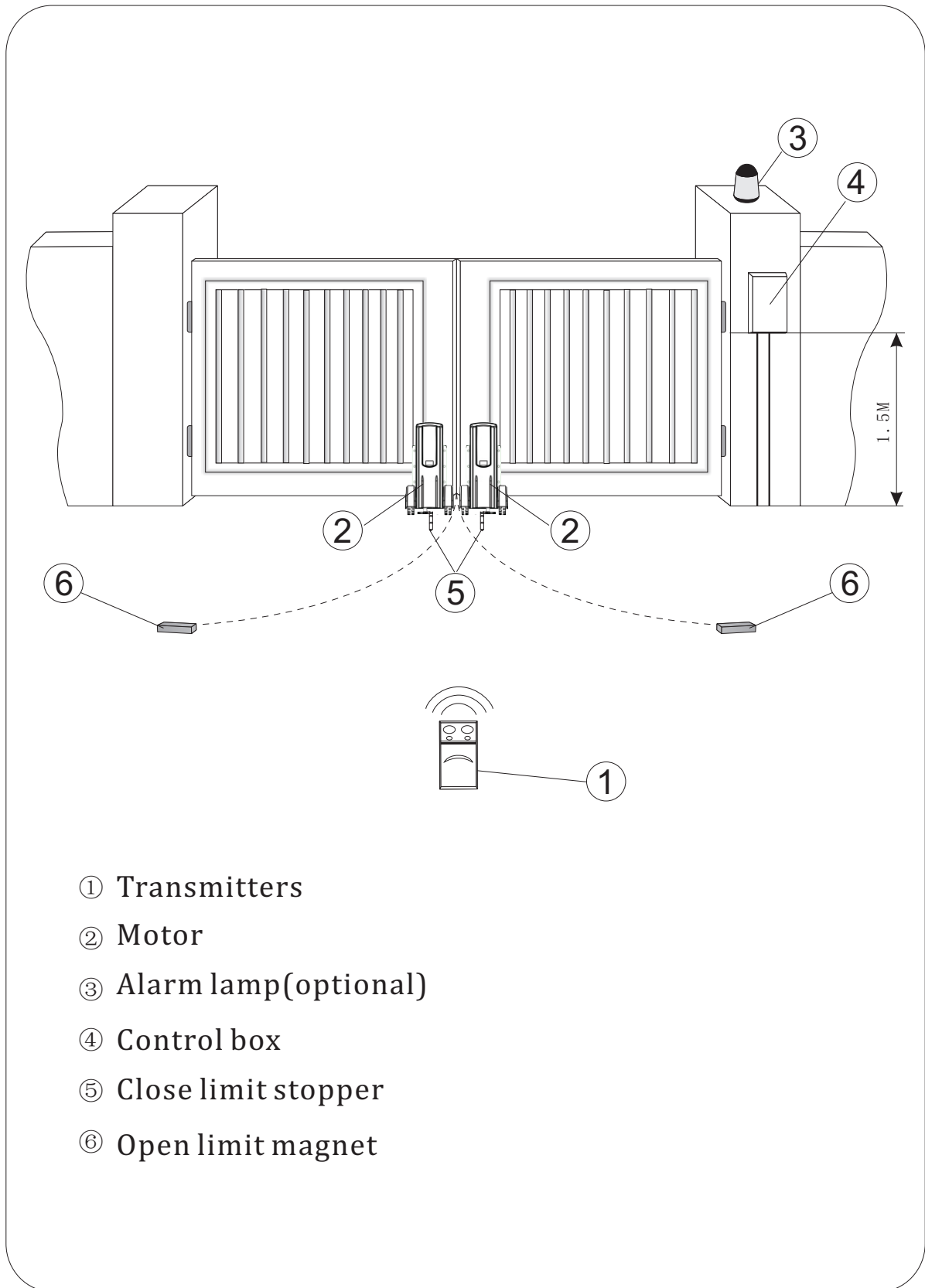
### 3. Dimensions



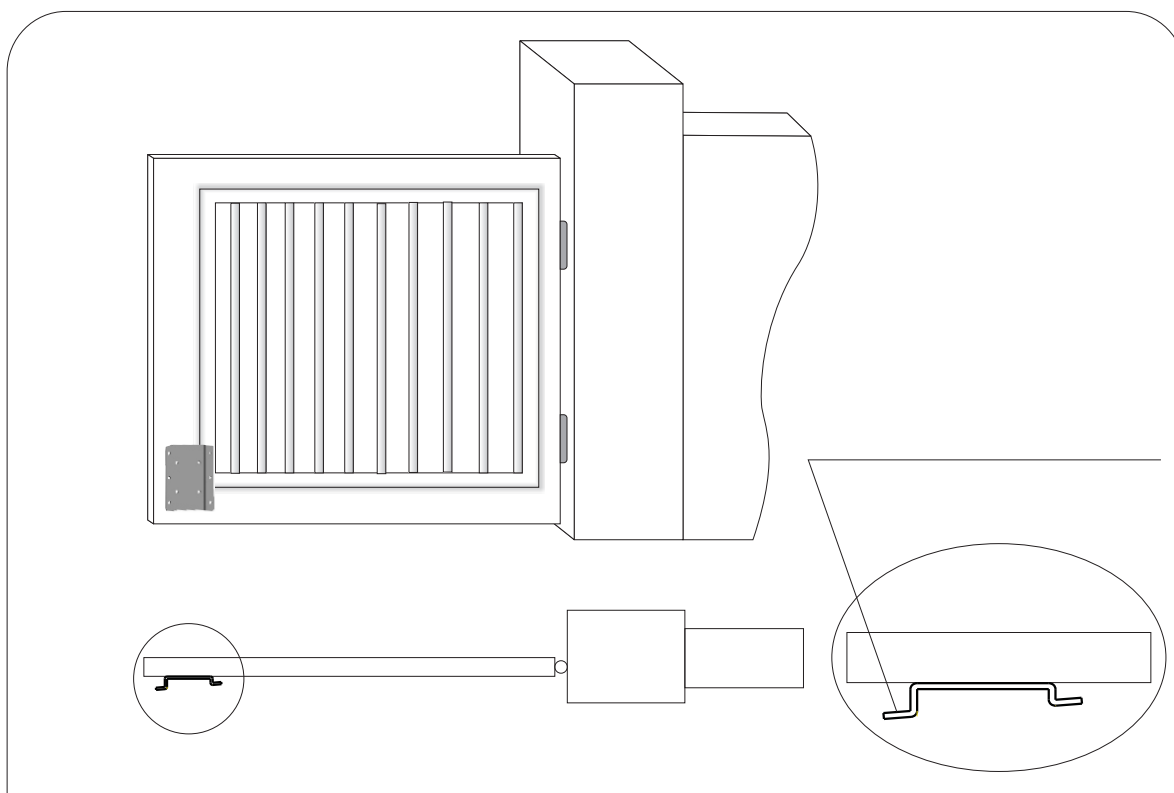
### 4. Package List

 <p>1 pcs</p>		 <p>1 pcs limit stopper</p>	
 <p>1 pcs</p>			
 <p>1 pcs</p>	 <p>M8X16 6 pcs</p>	 <p>M8X55 4 pcs</p>	 <p>1 pcs</p>
 <p>Φ8 10 pcs</p>	 <p>M8 4 pcs</p>	<p>chemical anchor</p>  <p>M10 2 pcs</p>	<p>limit magnet</p>  <p>1 pcs</p>

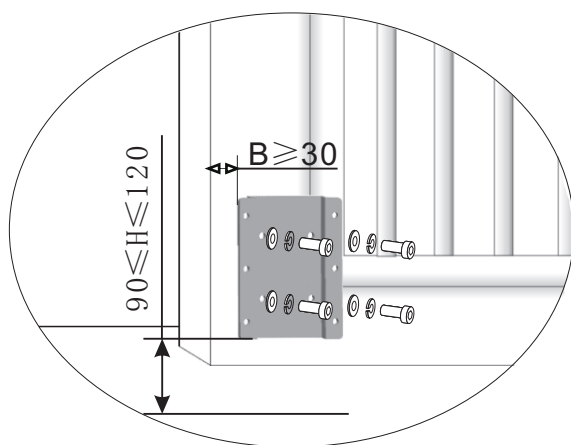
## 4. Standard Installation Layout



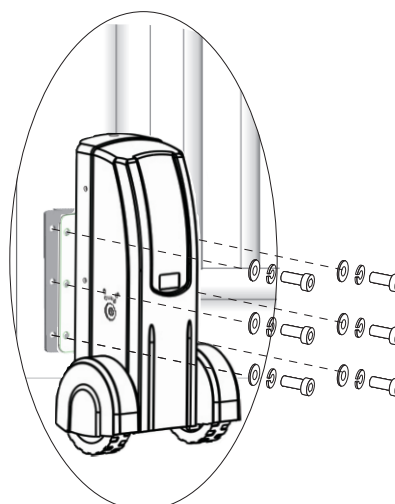
## 6. Installation



Fix the bracket

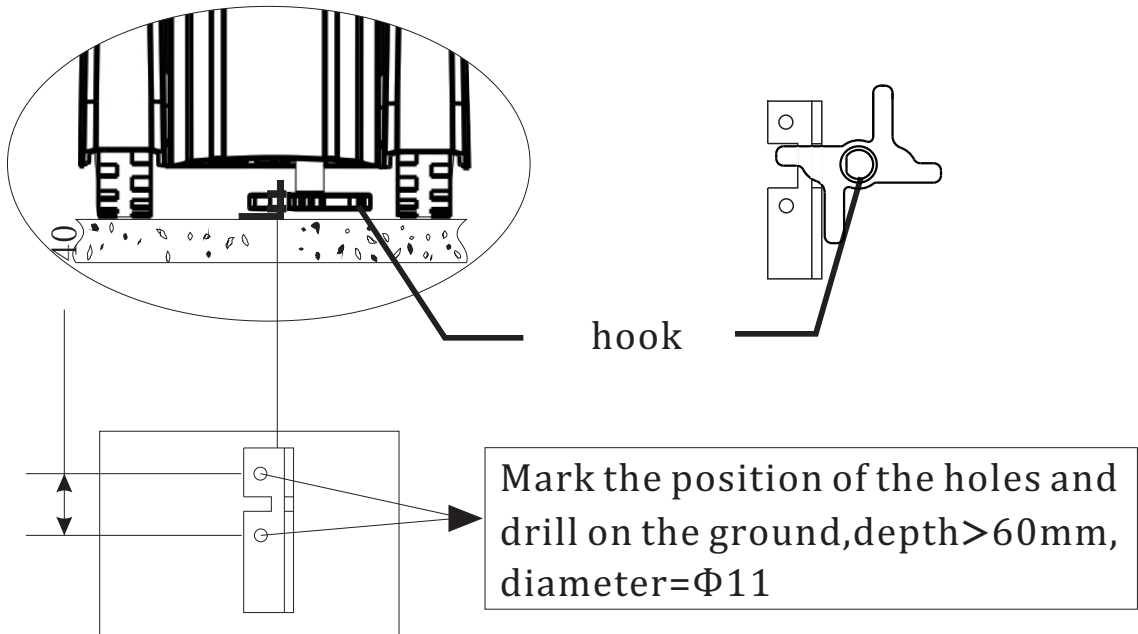


Fix the motor

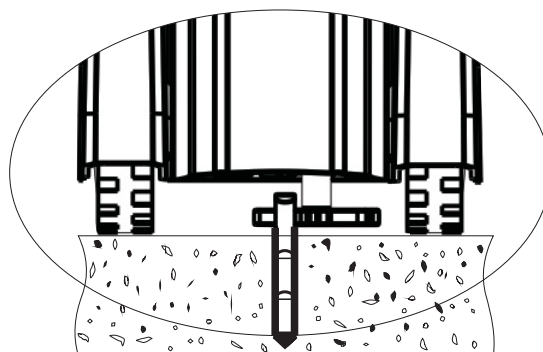
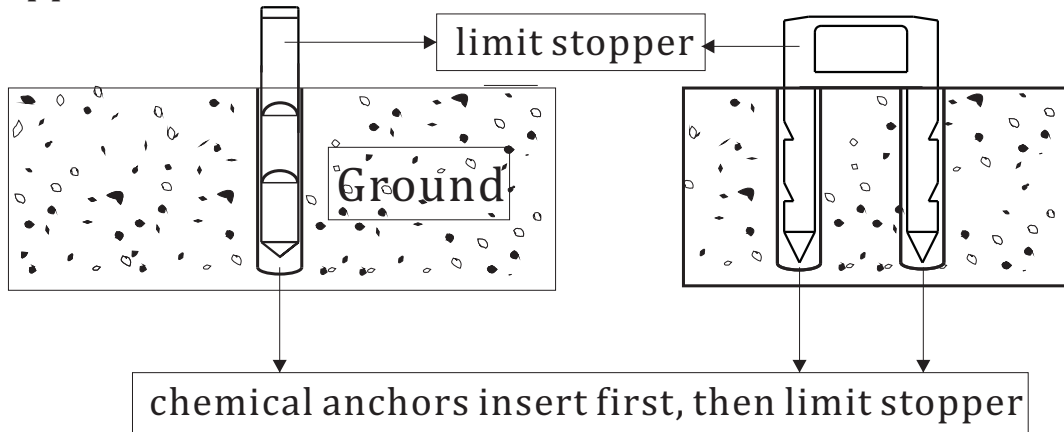


## 7. Fix The Close Limit Stopper

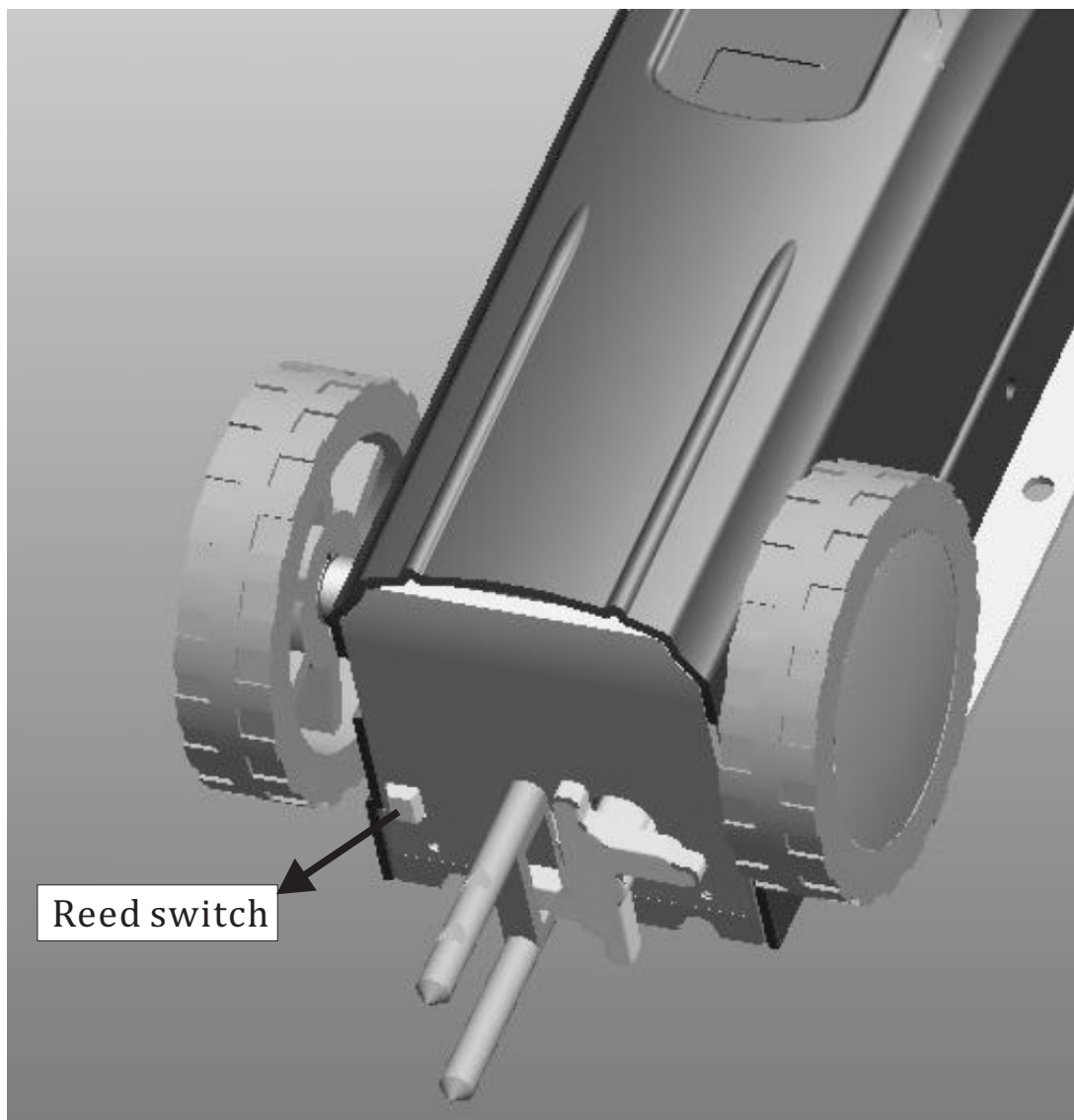
1. Fix the motor on the gate, move the gate on the close limit position and make sure the position of hook is as below:



2. Insert 2 pcs chemical anchors into the holes, then knock the stopper into the holes



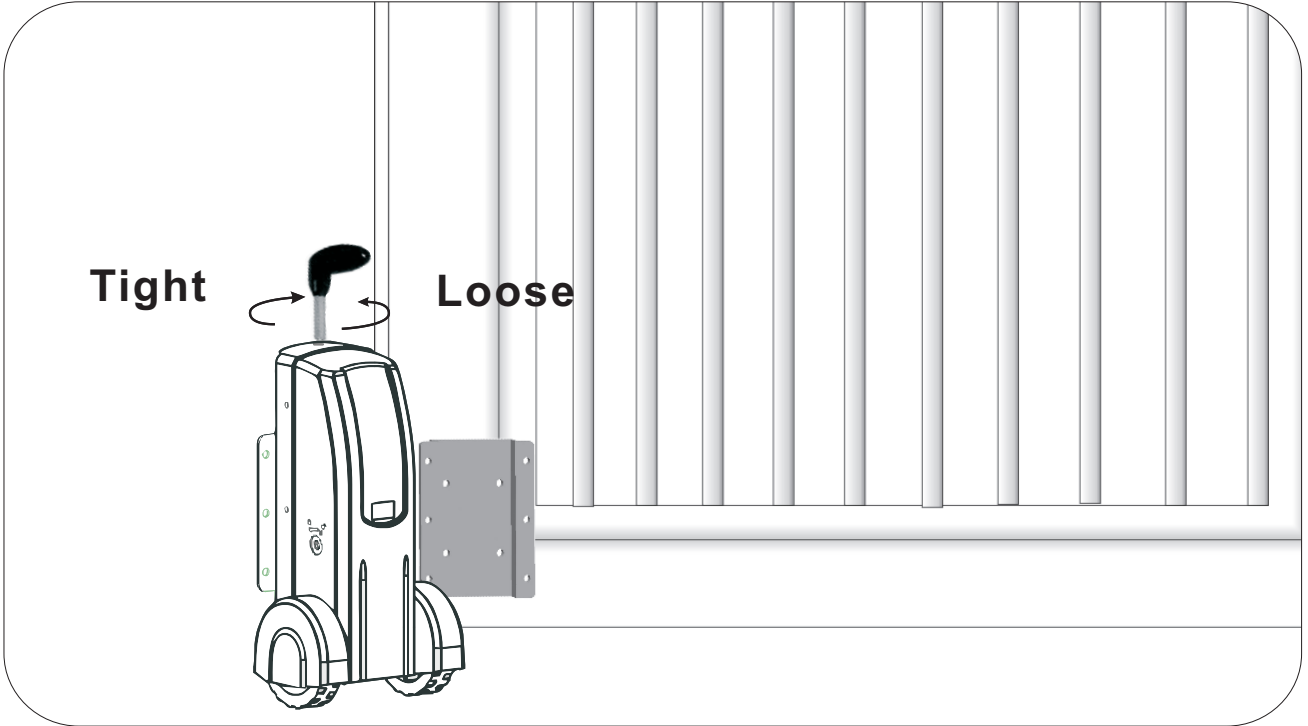
## 8. Fix The Opening Limit Magnet



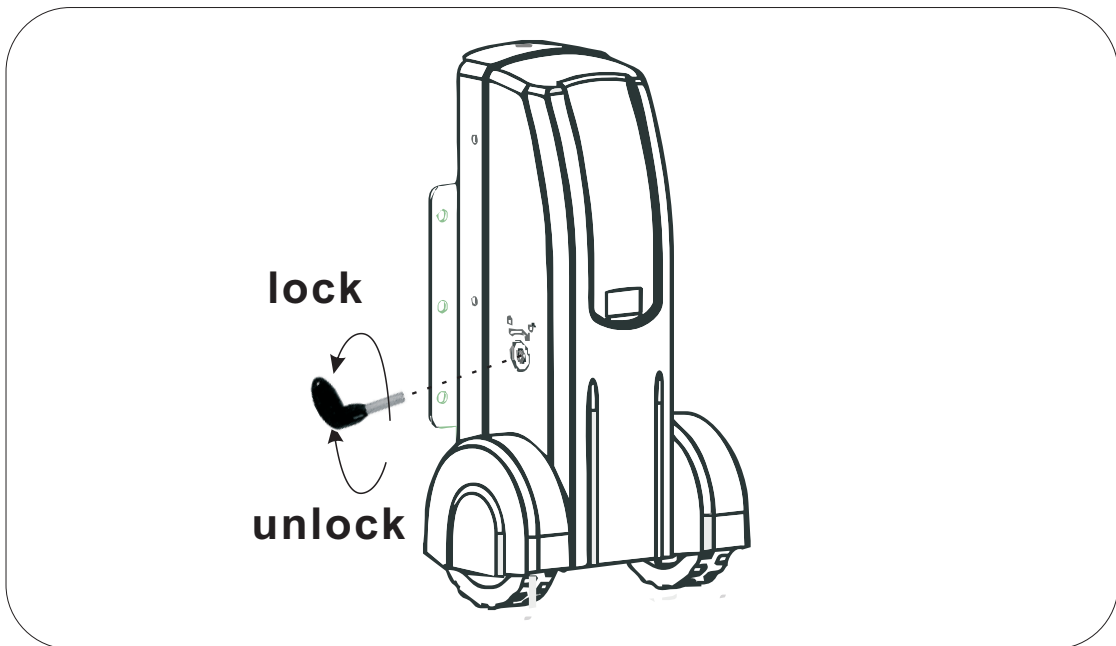
1. Operating gate at the opening limit position.
2. Mark the position of reed switch on the ground.
3. Move the gate ,drill on the mark .
4. Insert the limit magnet.



## 9. Adjust The Prestressing Force



## 10. How To Release



## 11. Trouble shooting

TROUBLE	REASON	SHOOTING
Motor can not work	1. No power supply	Check the power supply
	2. Motor power setting is too small	Enlarge the parameter of motor power
	3. Wheel slipping	Enlarge the pre-load force
Motor can work but the gate doesn't move	1. Release switch is unlock	Lock the release switch
	2. Worm gear is broken	Change the worm gear
	3. Wheel wore out	Change the wheel
Abnormal noise of motor	1. Rotor wore out	Change the rotor
	2. Gear wore out	Change the gear
	3. Bearing is broken	Change the bearing



