

# AC-3A Tube Rolling Door Motor

(installed in roller)

TUBULOR MOTOR + CHAIN

01-04-2015

# OUTLINE

1. Important safety information.....	1
2. Function Introduction.....	1
3. Main technical parameters.....	2
4. Installation Introduction .....	2
(1) Main structure.....	2
(2) Installation steps.....	2
5. The diagram of localizer .....	3
6. Operation of the control system.....	4
(1) External lights wiring.....	4
(2) Wire connection.....	4
7. Troubleshooting.....	5
8. Packing list.....	5
9. Remark .....	5



## One. Important safety information

Carefully read and follow all safety precaution and warnings before attempting to install and use rolling door operator, incorrect installation can lead to severe injury.

### ● Attentions

① Don't wear finger ring, watch and loose cloth when install motor. And please use solid wooden ladder.

② The size of roller should be according to length of motor and door.

③ Install this motor on right. If you want to install the motor on left, you should order the new one from manufacturer.

④ Retainer assembly of this motor is speed reducer ,Please read the introduction of debugging and follow the operation manul strictly.

⑤ Basic parameters of rolling door.

Size of Roller	Weight of Rolling Door	Square No.	Width
360kg			
6 inch	200kg	$\leq 16^2$	4m
5 inch	220kg	$\leq 17^2$	4m
4 inch	240kg	$\leq 18^2$	4.5m

⑥ Keep remote control within a extent that you can see the door and far from the floor at least 1.6m. but keep it away from the moving components of the door and children.

⑦ The control operates under from  $-15^{\circ}\text{C}$  to  $40^{\circ}\text{C}$ . But without ventilating slot, so you should not cover the heat elimination hole.

⑧ When open or close the door, do not attempt to walk or drive through the door.

⑨ The remote control with power storage(DC24V) and the one without power storage(DC48V) couldn't be in common use.

## Two. Fuction introduction

AC220-3A Tube Rolling Door Motor(installed in roller) developed base on HL-D24V-3A DC Tube Rolling door motor is a newest forth generation production of our company. Contrasted with the tubular motor in the market which is too light to lift heavy rolling door, our product can be widely used. Because it has changed into the heavy model with enough lifting force. It is not be found easily when open and close the door by reason of hiding style design. So It looks beatiful after installation.

1. Theftproof: With the hiding system, there is no space between the chain of motor and the door. So it's hardly for thieves to steal.



2. Hand operation: This motor could be installed manual switch out side in case of using remote control inconvenient.

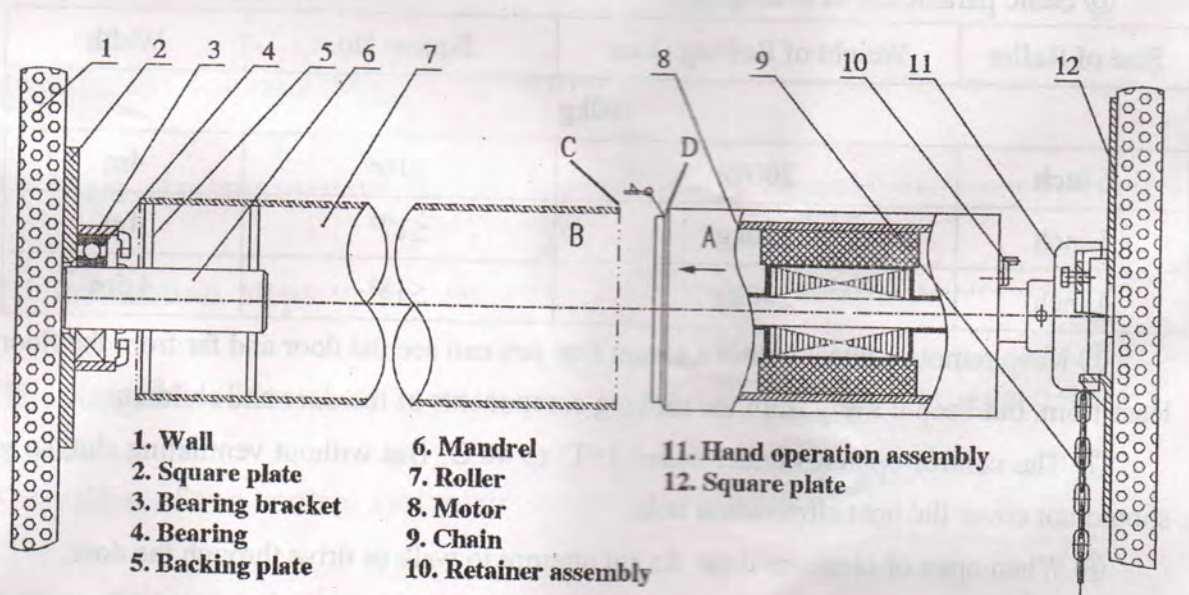
3. Emergency device: If the motor breaks down and couldn't open or close normally, you can use the hand device to open and close the door under the emergency situation.

### Three. Main technical parameters

Type	Rated Input Voltage(V)	Rated Power (W)	Advancing Force(Kg.f)	Input Torque (N. m)	Maximum Raising Height (m)	Length of motor (mm)
AC220-3A360	220	200	360	202	5	420

### Four. Installation Introduction

#### 1. Main structure



AC220-3A360

#### 2. Installation steps:

① First confirm the height of two square plate and center distance from square plates to gate slot(the plate with a slot should be installed on right) ,then weld two square plates horizontally on the wall.

② The length of roller and rolling door motor must be according to actual distance of two square plates, so that it can reach actual width of door holes.

③ After putting the A point of motor into the B point of driving tube, use welding machine to weld the C point of driving tube, and the D point of motor. And make sure the motor and roller should be horizontal. Then weld hard C and D.



④ After welding the roller and rolling door motor, weld the backing plate and fix the Cylindrical pin and bearing, then fix the nut of the door on the roller, finally install the roller and rolling door motor on two square plates. (fix the roller in the bearing bracket. Install the rolling door motor by screw and fixed in slot of square plate.)

⑤ After installation roller of rolling door motor, connect the control system to use when install the door.

**Remarks:**

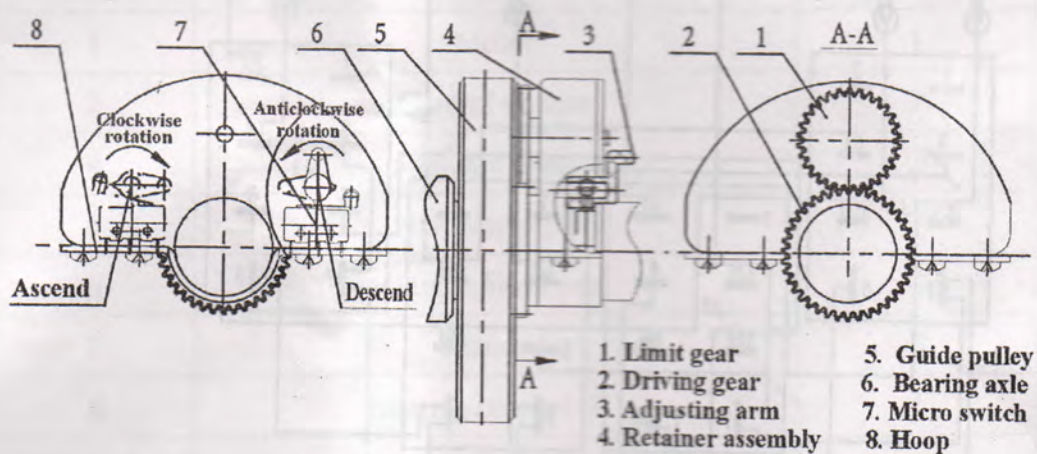
1. The thickness of roller is not less than 1.2mm. Or else, it will cause bonding point between roller and rolling door motor rupturing. And the problem on your own account.

2. Fix the nut of the door. The nut must only weld on the roller, not on the rolling door motor.

3. when install the door, please notice direction the localizer whether anticlockwise or clockwise, to avoid the rolling door motor not work for the localizer reach to limited position.

**Five. The diagram of localizer**

● **Adjustment**



**Notice:** Open the door, adjust the position (anticlockwise); close the door, adjust the position (clockwise).

① When open the door to desire position, turn the adjustable arms (clockwise), then open or close the door, and turn the adjustable arms left/right until adjust the correct positions.

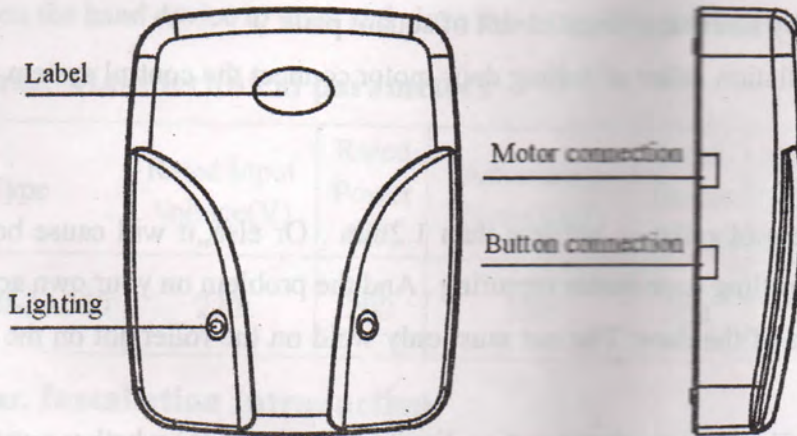
② When close the door to desire position, turn the adjustable arms (anticlockwise), then open or close the door, and turn the adjustable arms left/right until adjust the correct positions.

③ If need to adjust the position again, you can adjust appropriate the adjustable arma.

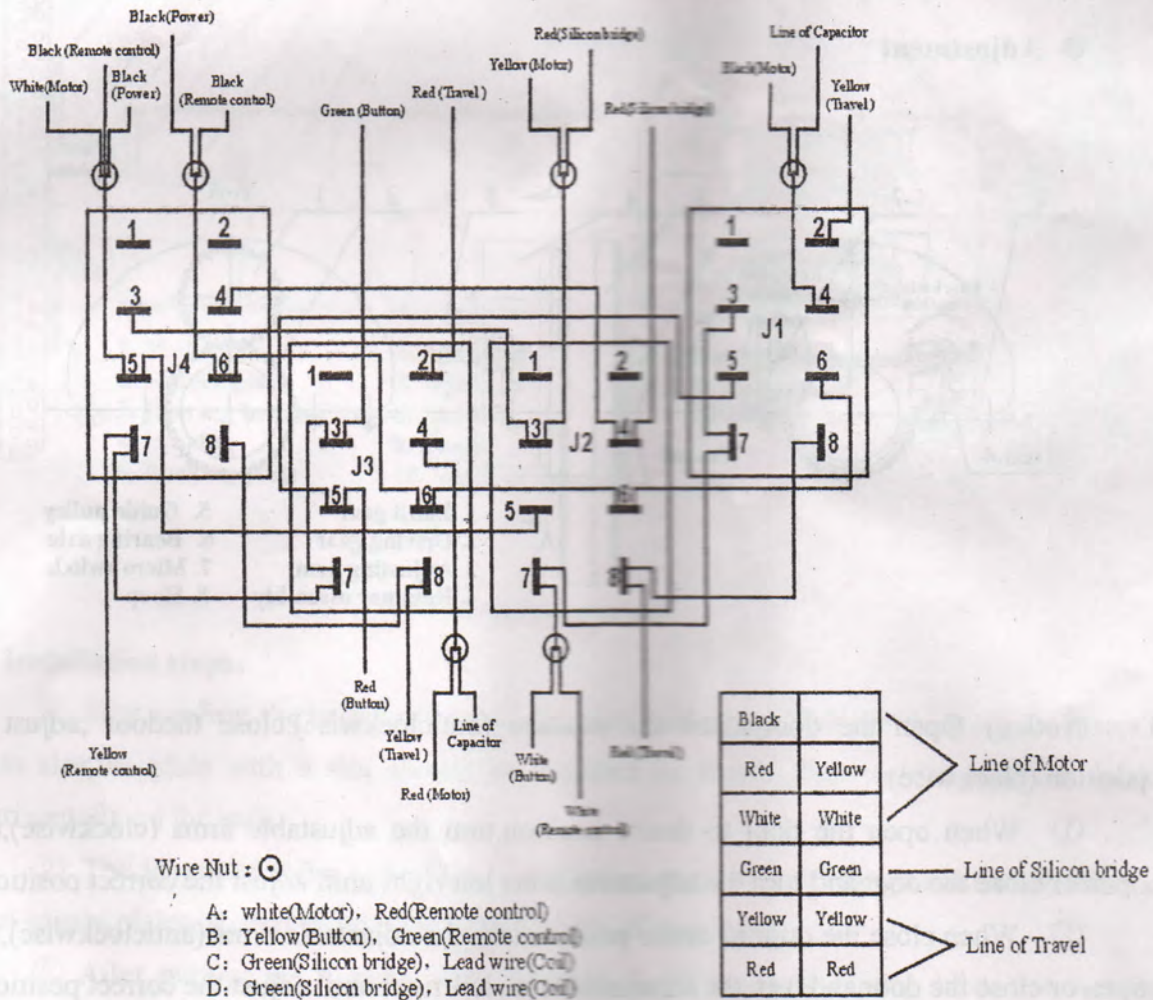


## Six. Operation of the control system

### 1. External lights wiring



### 2. Wire Connection





Remarks: The product use standrad voltage(220V ± 15%).If the control system damaged by over-standrad voltage,we have no responsibility to guarantee.

### Seven. Troubleshooting

Problem	Remedy
The motor fails to operate.	1. check the power plug; 2. check the fuse.
The hand control part couldn't control the door..	1.change the battery of hand control part. ; 2.check the wiring; 3.check the dip collectly or not.
The operator run up if press the down button.	Set left/right switch again.
The fuse damaged.	Check input voltage is over 240V or not. .

### Eight. Packing list

After receiving the control box, you should make an unpack-inspection, in which you should check whether the product was damaged. If you have any problem please contact our sales agent. You should find the following items in our standard packing:

NO.	Item	Quantity
1	Motor	1
2	Control system	1
4	Square plate	2
5	backing plate	2
6	Hand control part	2
7	Mandrel	1
8	Bearing bracket (U)	1
9	Bearing	1
10	Button	1

### Nine.Remarks

Reformation of the product in technology,apperence without notice,based on object.