



Semi Automatic Bollards

For Residential & Commercial purpose  
SP BLD SA

Applications

- Parks / School/Parking Area
- Hospitals / Pedestrian Area

Features

- SS#304 Stainless Steel
- Manual Key Operation
- NO Power Supply required
- Easy Installation & Maintenance
- 6 Sec UP Time
- Down by external force
- Pneumatic Spring Controlled
- Allow Pedestrian Movement
- Can STOP Two Wheelers

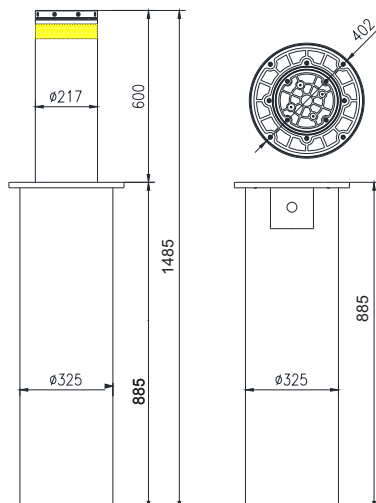
Operation

The Semi Automatic Bollards require no Power Supply. It can be operated by Manual Key during UP Lift & by Manual Force during DOWN Control. It can be fixed 350 mm apart to STOP Two wheelers from entering pedestrian area. During vehicle movement it can be pulled DOWN by Manual force in 3 sec. With 885 mm basement in ground, it is stronger and reliable.

The column shaped Bollards keeps the openness of the pedestrian walking.



SP BLY SA



Model	SP BLY SA	
Cylindrical Diameter	168 mm	217 mm
In Ground Material	Galvanized Pipe	
Surface Material	Stainless Steel SS#304	
Thickness	5 mm	
Finish	Polishing	
Indicator	Reflective Strip	
Surface Height	600 mm	
Ground Height	885 mm	
UP Control / Time	by Manual key / < 6 sec	
Down Control	by Manual force	
Power Unit	Pneumatic Spring	

\* Specification are subjected to change for improvements